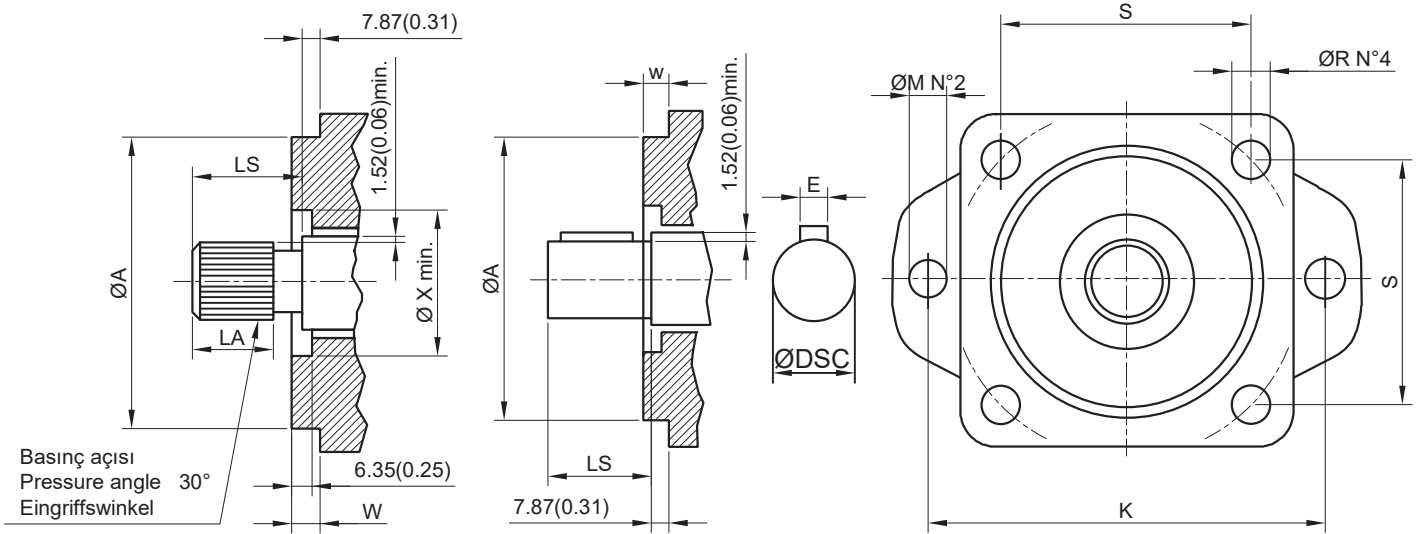


SAEJ 744C GÖRE MOTORLAR İÇİN FLANŞLAR
FLANGES FOR MOTORS ACCORDING TO THE SAEJ 744C STD
FLANSCH FÜR MOTORE NQACH SAEJ 744C-NORM



		A	W	X _{min}	K	M	S	R	Frezeli Mil Splined Shaft Zahnwelle			Kamalı Mil Parallel Shaft Zylinderwelle			
									DP	LS	LA _{min}	DSC	LS	F	E
SAE A-A	mm	50.80	6.35	-	350.04	10.31	-	-	20/40	19.05	5.08	12.70	19.05	14.07	3.175
	inç	(2.00)	(0.25)	-	(13.785)	(0.406)	-	-	9T	(0.750)	(0.20)	(0.50)	(0.750)	(0.554)	(0.125)
SAE A	mm	82.55	6.35	-	106.37	11.10	-	-	16/32	23.83	7.62	15.87	23.83	17.60	3.97
	inç	(3.250)	(0.25")	-	(4.188)	(0.438)	-	-	9T	(0.938)	(0.30)	(0.625)	(0.938)	(0.693)	(0.1563)
SAE B	mm	101.60	9.65	50.80	146.05	14.30	89.81	14.27	16/32	33.32	10.16	22.22	33.32	24.94	6.35
	inç	(4.00)	(0.38)	(2.00)	(5.75)	(0.562)	(3.536)	(0.562)	13T	(1.312)	(0.40)	(0.875)	(1.312)	(0.982)	(0.250)
SAE B-B	mm	101.60	12.70	50.80	146.05	14.30	89.81	14.27	16/32	38.10	12.70	25.40	38.10	28.10	6.35
	inç	(4.00)	(0.50)	(2.00)	(5.75)	(0.562)	(3.536)	(0.562)	15T	(1.500)	(0.50)	(1.000)	(1.500)	(1.106)	(0.250)
SAE C	mm	127	12.70	63.50	180.98	17.50	114.50	14.27	12/24	47.63	15.24	31.75	47.63	35.20	7.94
	inç	(5.00)	(0.50)	(2.50)	(7.175)	(0.688)	(4.508)	(0.562)	14T	(1.875)	(0.60)	(1.250)	(1.875)	(1.386)	(0.3125)
SAE C-C	mm	127	12.70	63.50	180.98	17.50	114.50	14.27	12/24	53.98	17.78	38.10	53.98	42.26	9.53
	inç	(5.00)	(0.50)	(2.50)	(7.175)	(0.688)	(4.508)	(0.562)	14T	(2.125)	(0.70)	(1.500)	(2.125)	(1.664)	(0.375)
SAE D	mm	152.40	12.70	69.85	228.60	20.60	161.65	20.63	8/16	66.67	20.32	44.45	66.67	49.30	11.11
	inç	(6.00)	(0.50)	(2.75)	(9.00)	(0.812)	(6.364)	(0.812)	13T	(2.625)	(0.80)	(1.750)	(2.625)	(1.941)	(0.4375)
SAE E	mm	165.10	15.875	69.85	317.50	26.97	224.51	20.63	8/16	66.67	20.32	44.45	66.67	49.30	11.11
	inç	(6.50)	(0.625)	(2.75)	(12.5)	(1.062)	(8.839)	(0.812)	13T	(2.625)	(0.80)	(1.750)	(2.625)	(1.941)	(0.4375)
SAE F	mm	177.80	15.875	69.85	317.50	26.97	247.52	20.98	8/16	79.38	25.40	-	79.38	-	-
	inç	(7.00)	(0.625)	(2.75)	(12.5)	(1.062)	(9.745)	(1.062)	15T	(3.125)	(1.00)	-	(3.129)	-	-