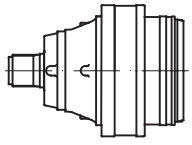
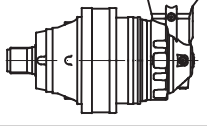


# PD 139

	i	T <sub>2</sub> [Nm]				n <sub>1max</sub> [min <sup>-1</sup> ]	T <sub>2max</sub> [Nm]	P <sub>t</sub> [kW]
		n <sub>2xh</sub>						
		10 000	20 000	50 000	100 000			
<b>PD 139 S1</b>	3.84	635700	572300	498200	450000	100	743990	160
<b>PD 139 S2</b>	15.0	635700	572300	498200	450000	200	743990	110
<b>PD 139 S3</b>	59.3	635700	572300	498200	450000	1200	743990	93
	76.0	635700	572300	498200	450000	1200	743990	93
<b>PD 139 S4</b>	210.9	635700	572300	498200	450000	2000	743990	70
	270.3	635700	572300	498200	450000	2000	743990	70
	325.7	635700	572300	498200	450000	2000	743990	70
	425.7	635700	572300	498200	450000	2000	743990	70
	513.1	635700	572300	498200	450000	2000	743990	70
<b>PD 139 S5</b>	796.6	635700	572300	498200	450000	2800	743990	49
	869.8	635700	572300	498200	450000	2800	743990	49
	960.0	635700	572300	498200	450000	2800	743990	49
	1021.0	635700	572300	498200	450000	2800	743990	49
	1114.8	635700	572300	498200	450000	2800	743990	49
	1254.7	635700	572300	498200	450000	2800	743990	49
	1370.0	635700	572300	498200	450000	2800	743990	49
	1608.0	635700	572300	498200	450000	2800	743990	49
	1755.8	635700	572300	498200	450000	2800	743990	49
	1842.4	635700	572300	498200	450000	2800	743990	49
	1938.3	635700	572300	498200	450000	2800	743990	49
	2116.4	635700	572300	498200	450000	2800	743990	49
	2361.4	635700	572300	498200	450000	2800	743990	49
	2407.9	635700	572300	498200	450000	2800	743990	49
	2554.0	635700	572300	498200	450000	2800	743990	49
3078.4	635700	572300	498200	450000	2800	743990	49	
3719.8	635700	572300	498200	450000	2800	743990	49	

# PDA 139

	i	T <sub>2</sub> [Nm]				n <sub>1max</sub> [min <sup>-1</sup> ]	T <sub>2max</sub> [Nm]	P <sub>t</sub> [kW]
		n <sub>2</sub> xh						
		10 000	20 000	50 000	100 000			
<b>PDA 139 S5</b>	586.2	635700	572300	498200	450000	2800	743990	57
	751.3	635700	572300	498200	450000	2800	743990	57
	923.3	635700	572300	498200	450000	2800	743990	57
	1089.0	635700	572300	498200	450000	2800	743990	57
	1183.3	635700	572300	498200	450000	2800	743990	57
	1395.6	635700	572300	498200	450000	2800	743990	57
	1426.3	635700	572300	498200	450000	2800	743990	57
	1824.0	635700	572300	498200	450000	2800	743990	57
	2198.5	635700	572300	498200	450000	2800	743990	57
<b>PDA 139 S6</b>	1832.2	635700	572300	498200	450000	2800	743990	50
	2348.2	635700	572300	498200	450000	2800	743990	50
	2830.0	635700	572300	498200	450000	2800	743990	50
	3698.5	635700	572300	498200	450000	2800	743990	50
	4232.7	635700	572300	498200	450000	2800	743990	50
	4458.0	635700	572300	498200	450000	2800	743990	50
	5531.7	635700	572300	498200	450000	2800	743990	50
	6667.6	635700	572300	498200	450000	2800	743990	50



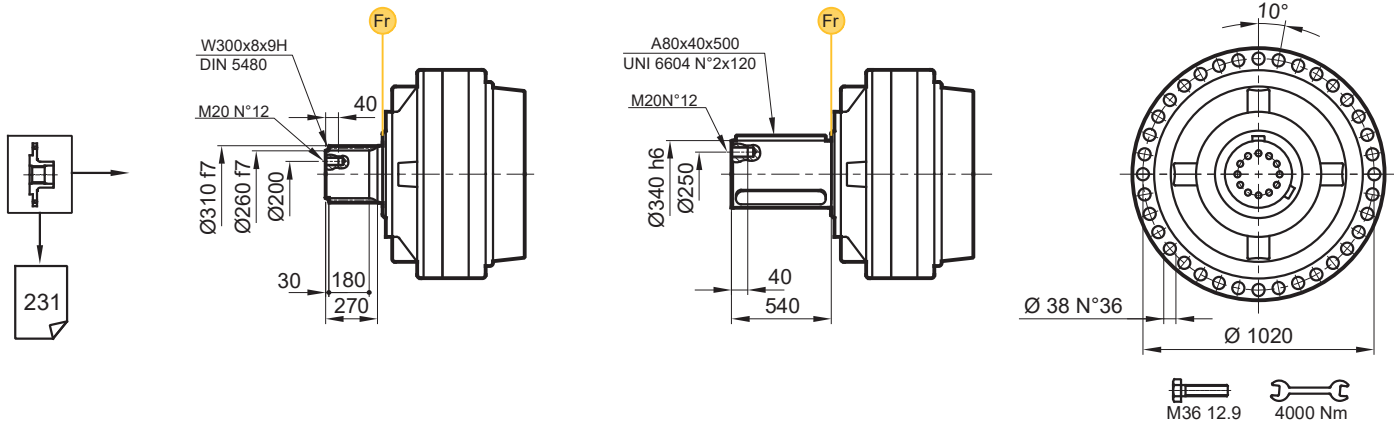
(n<sub>2</sub> x h = 20000)

$$T_{2max} = T_2 \times 1,3$$

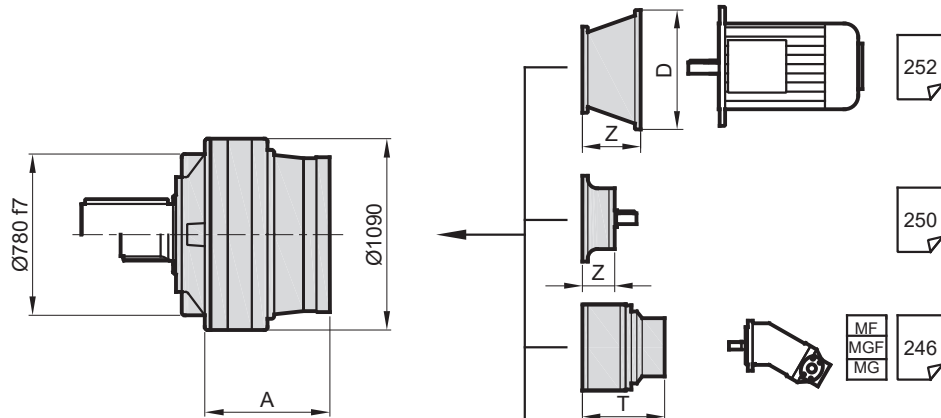
# PD/PDA 139

**MS**

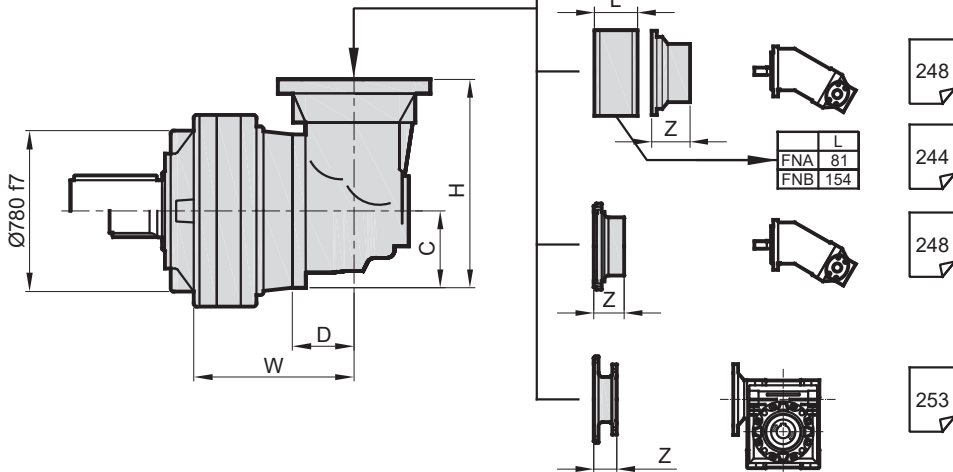
**MC**



**PD..**



**PDA..**

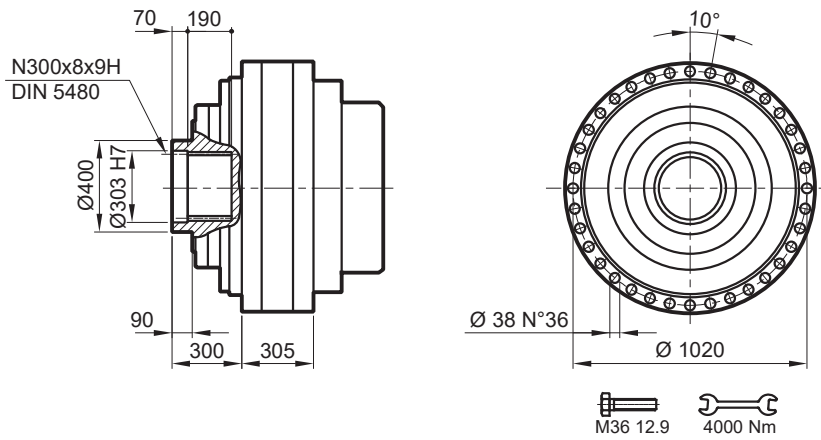


Stage	W	D	C	H	A	PD M	PDA M
S3	-	-	-	-	904	3600	-
S4	1173	149	240	610	1025	3700	3800
S5	1184	101	173	457	1204	4000	4100

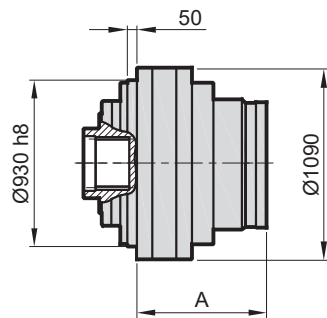
	H71		H80-90		H100		H132		H160-180		H200		H225		H250-280	
Stage	D	Z	D	Z	D	Z	D	Z	D	Z	D	Z	D	Z	D	Z
S4	-	-	-	-	-	-	-	-	-	-	400	148,5	450	148,5	550	183,5
S5	-	-	-	-	-	-	300	104	350	120	400	148,5	450	148,5	-	-

# PD/PDA 139

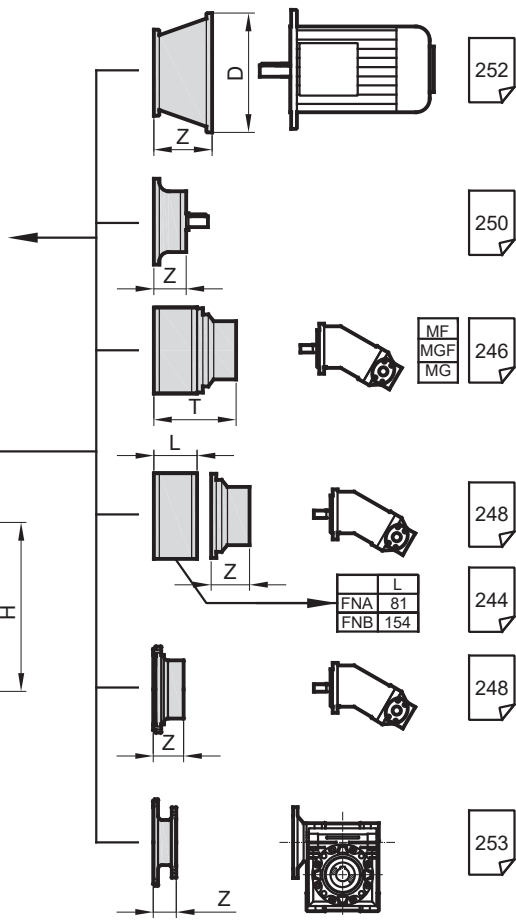
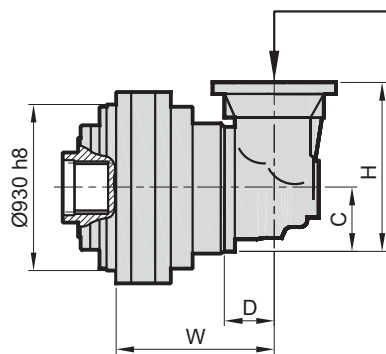
S



**PD..**



**PDA..**



Stage	W	D	C	H	A	PD S	PDA S
S3	-	-	-	-	904	3600	-
S4	1173	149	240	610	1025	3700	3800
S5	1184	101	173	457	1204	4000	4100

	H71		H80-90		H100		H132		H160-180		H200		H225		H250-280	
Stage	D	Z	D	Z	D	Z	D	Z	D	Z	D	Z	D	Z	D	Z
S4	-	-	-	-	-	-	-	-	-	-	400	148,5	450	148,5	550	183,5
S5	-	-	-	-	-	-	300	104	350	120	400	148,5	450	148,5	-	-

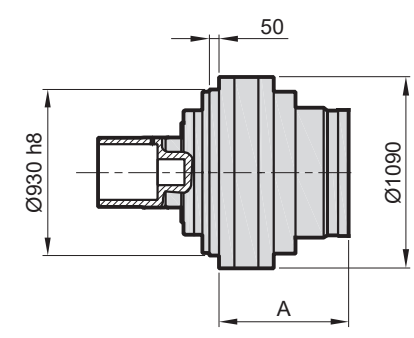
# PD/PDA 139

**SD**

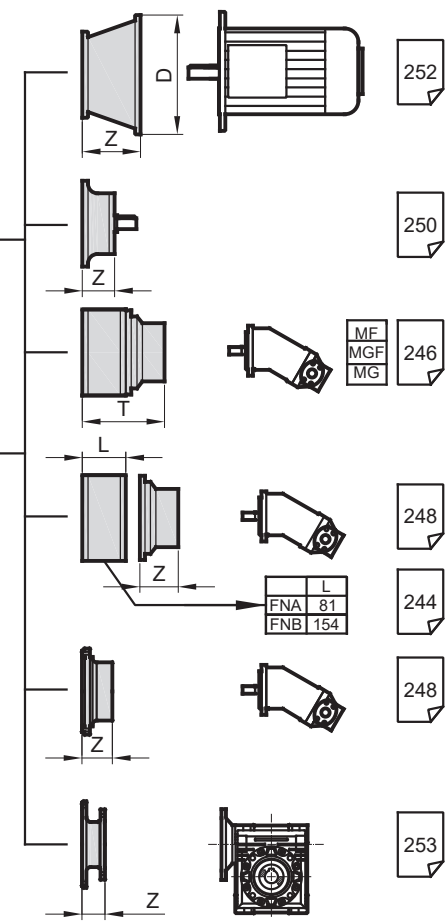
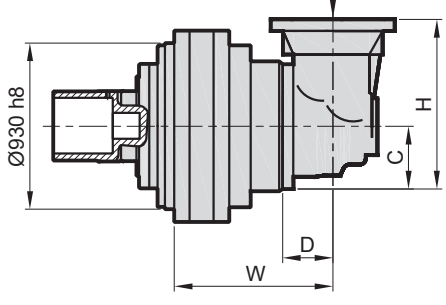
$M_{max} = 1061 \text{ kNm}$

Belirtilen maksimum tork sadece PDS tarafından verilen sıkma bileziği ile mümkündür.  
 The maximum torque indicated is valid only with shrink discs supplied by PDS.  
 Das dargestellte , maximale Drehmoment gilt nur mit von PDS.

## PD..



## PDA..



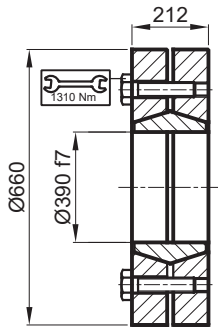
Stage	W	D	C	H	A	PD SD	PDA SD
S3	-	-	-	-	904	3600	-
S4	1173	149	240	610	1025	3700	3800
S5	1184	101	173	457	1204	4000	4100

	H71	H80-90		H100		H132		H160-180		H200		H225		H250-280		
Stage	D	Z	D	Z	D	Z	D	Z	D	Z	D	Z	D	Z	D	Z
S4	-	-	-	-	-	-	-	-	-	-	400	148,5	450	148,5	550	183,5
S5	-	-	-	-	-	-	300	104	350	120	400	148,5	450	148,5	-	-

# PD/PDA 139

**SB**

Sıkma Bileziği / Shrink disc  
Schrumpfscheibe



Maksimum tork  
Max. torque  
Max. Drehmoment  
1061 kNm

**FL**

Flanş / Flange / Flansch

